

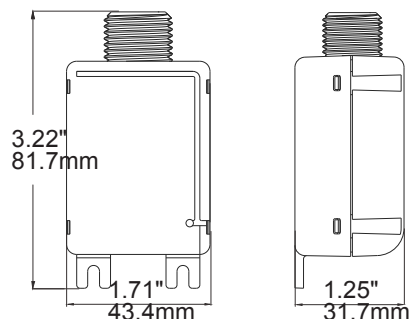


DESCRIPTIONS

The BMWC-L102S-W-1-BLE-KL is an IP65 rated outdoor fixture controller that is equipped with a relay for on/off control and a 0-10V output for dimming control. The controller is equipped with either a 1dBi (ANT-L-1) or 5 dBi (ANT-L-5) antenna to increase the BlueMesh wireless range for outdoor applications. The controller can be equipped with an additional occupancy sensor. Configuration of the controller is done with the BlueMesh App.

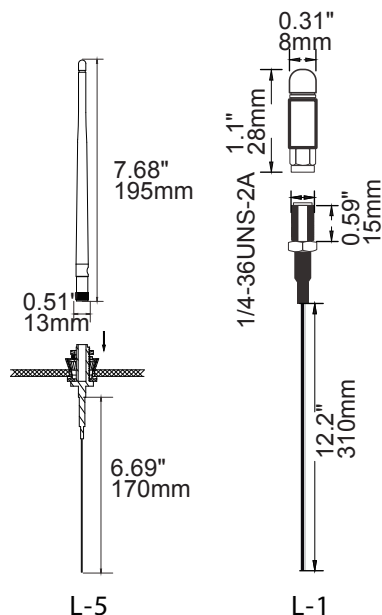
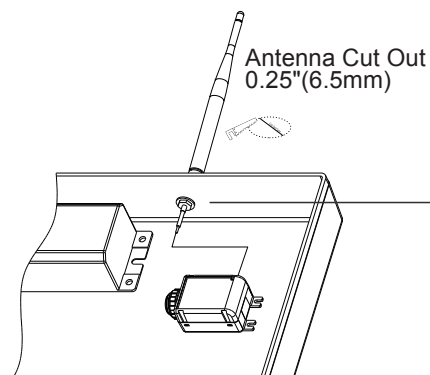
PHYSICAL DIMENSIONS

Unit:inch/mm



1/2 inch US standard knockout

| AMERICAN INCH PRODUCTS | | |
|------------------------|-------|------------|
| Size | T.P.I | Major Dia. |
| | inch | inch |
| R1/2 | 14 | 0.825 |



TECHNICAL DATA

Input Voltage: AC120-277V
 Frequency: 50/60Hz
 Input Current: 6A Max
 Input Power: 720W Max @ 120V, 1662W Max @ 277V
 Output Voltage: AC120-277V
 Output Current: 6A Max
 Output Power: 720W Max @ 120V, 1662W Max @ 277V
 Dimming: Class 2, 0-10V DC 10mA Max
 Sinking Current: 10mA Max

Bluetooth Transmit:
 L-1:900ft Max, L-5:1900ft Max
 Radio Frequency: 2.4GHz ± 75MHz
 Bluetooth Version: 5.0
 Housing Material: UL 94-5VA
 Indoor/Outdoor Use
 Operating Temperature: -30°C to 65°C, -22°F to 149°F
 Storage Temperature: -30°C to 85°C, -22°F to 185°F
 IP Rating: IP20
 Antenna: IP65
 Color: White
 Warranty: 5 years warranty

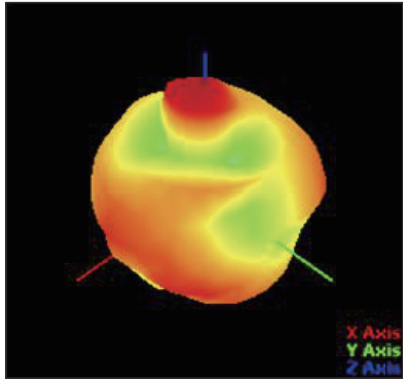
Comply to UL8750,UL2043,UL1376,RoHS
 Safety: cULus Listed LED Controller

ORDERING INFORMATION

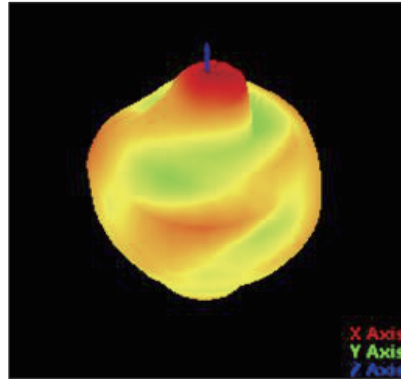
| MODEL | DESCRIPTION |
|-----------------------|---|
| BMWC-L102S-W-1-BLE-KL | Wireless Fixture Controller with long Range Antenna |
| ANT-L-1 | 2.4G-1dbi Antenna |
| ANT-L-5 | 2.4G-5dbi Antenna |

* Note: All application environments will not necessarily be able achieve max signal range due to factors such as signal obstructions, interference, and luminaire/housing design. Testing is recommended to ensure performance for the applications.

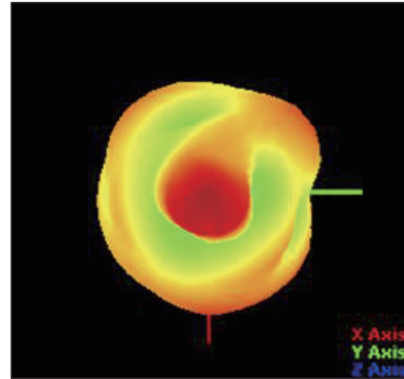
ANT-L-1 TRANSMISSION



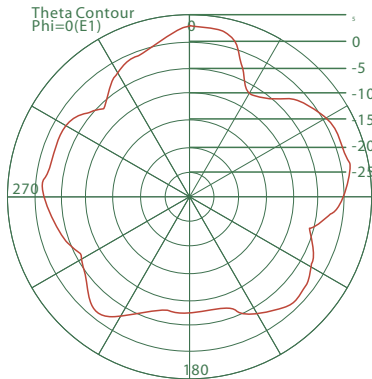
T45-P45



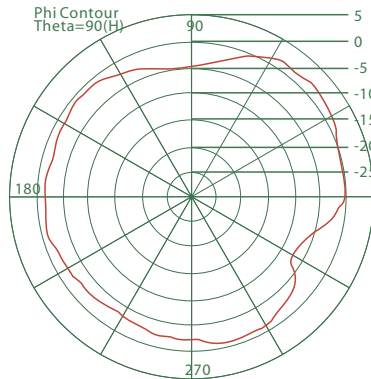
T45-P225



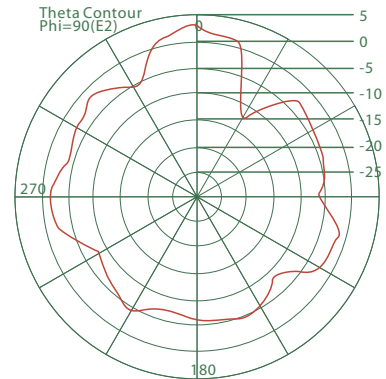
T0-P0



XOZ



XOY



YOZ

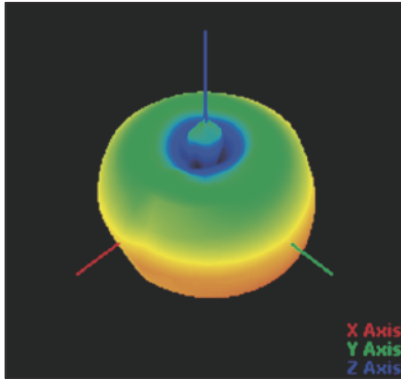
| Wireless Signal Strength | |
|--------------------------|-----------|
| Transmission Distance | RSSI(dbm) |
| 328ft(100m) | -53 |
| 656ft(200m) | -54 |
| 984ft(300m) | -64 |



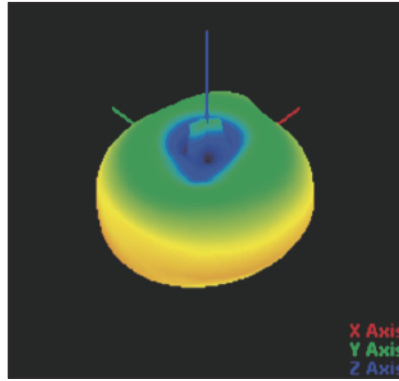
Coordination System Description:
 Line Color XYZ Theta-Phi
 Red L. Axis X Theta90-Phi0
 Green L. Axis Y Theta90-Phi90
 Blue L. Axis Z Theta0

Note: The test transmission distance of two BMWC-L102S-1-BLE-KL

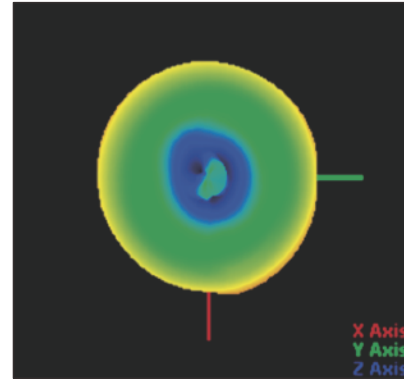
ANT-L-5 TRANSMISSION



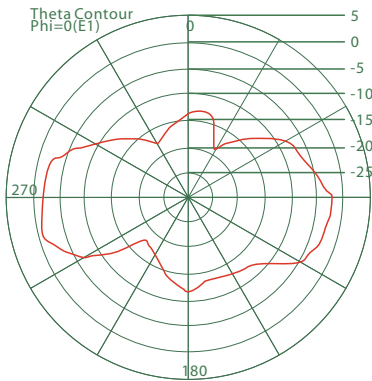
T45-P45



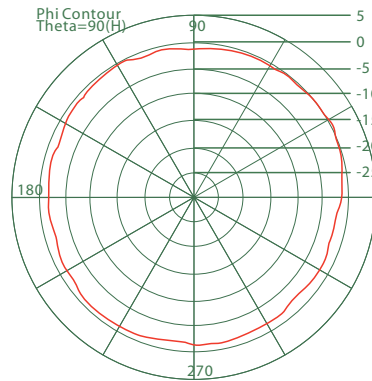
T45-P225



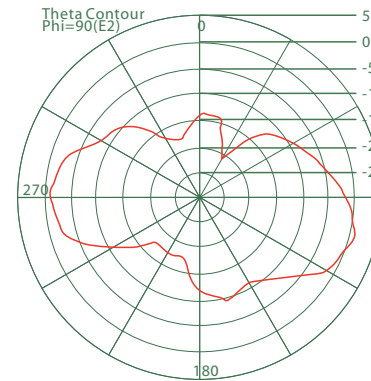
T0-P0



XOZ



XOY



YOZ

| Wireless Signal Strength | |
|--------------------------|-----------|
| Transmission Distance | RSSI(dbm) |
| 328ft(100m) | -40 |
| 656ft(200m) | -43 |
| 984ft(300m) | -45 |
| 1312ft(400m) | -51 |
| 1640ft(500m) | -52 |
| 1968ft(600m) | -60 |

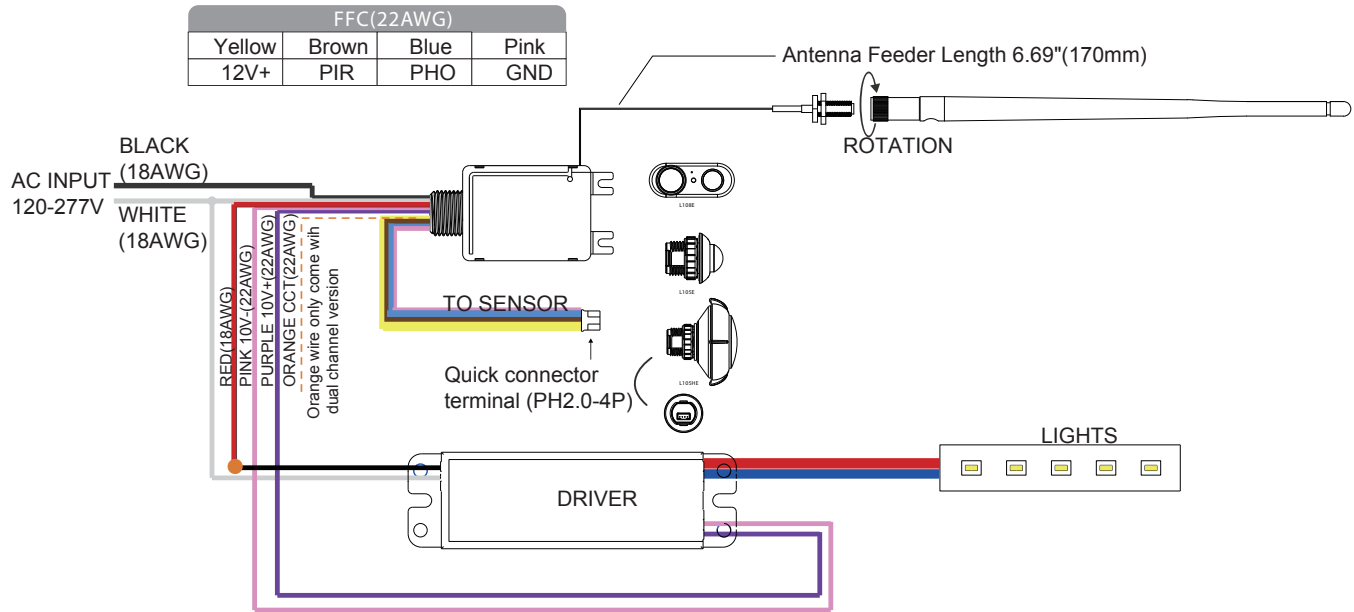


Coordination System Description:
 Line Colr XYZ Theta-Phi
 Red L. Axis X Theta90-Phi0
 Green L. Axis Y Theta90-Phi90
 Blue L. Axis Z Theta0

Note: The test transmission distance of two BMWC-L102S-1-BLE-KL

WIRING DIAGRAM

Ref#: 202311222



WARRANTY

Five year limited warranty.

Specifications subject to change without notice.